

# DOSING UNITS, VERTICAL DESIGN



## OVERVIEW

- The most modern pump technology
- Standardized mounting plates
- Space-saving wall mounting
- Wide range of applications
- High safety standard
- Large range of capacity
- High dosing accuracy
- Easy to operate
- Low maintenance
- Complete range of accessories

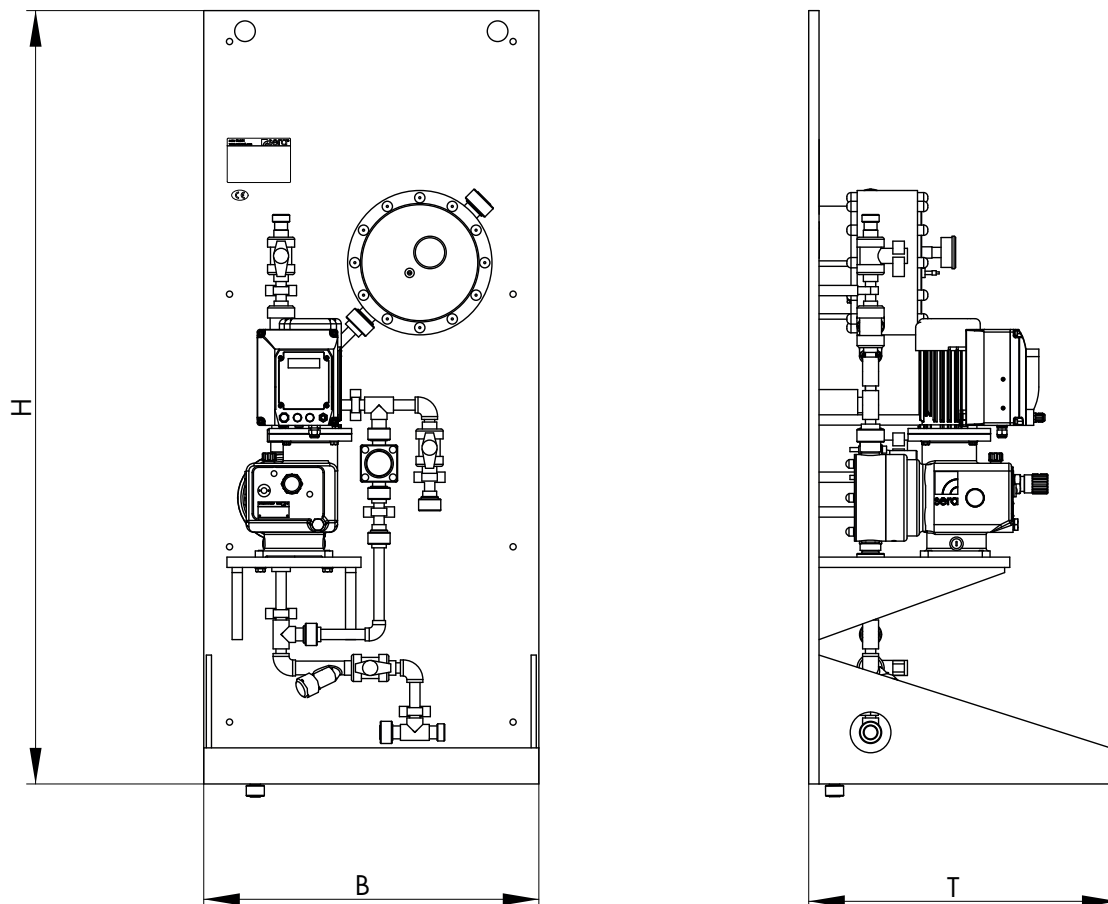
## TECHNICAL DATA

UNIT DATA		CVD1(s)-60.1	CVD1(s)-550.1	CVD1(s)-1500.1
Flow capacity	l/h	0 - 60	0 - 550	0 - 1500
Permissible counter pressure	bar (max)	10	8	5
Permissible suction head	mWC (max)	3	3	3
Number of pumps	Quantity	1	1	1

## ALLOCATION OF DOSING PUMPS

PUMP SERIES	CVD1(s)-60.1	CVD1(s)-550.1	CVD1(s)-1500.1
<b>Solenoid diaphragm pumps</b>  <ul style="list-style-type: none"> <li>C 204.1-2,4e</li> <li>C 204.1-7,0e</li> <li>C 204.1- 10e</li> <li>C 204.1- 35e</li> </ul>		X	X
<b>Stepper motor diaphragm pumps</b>  <ul style="list-style-type: none"> <li>iSTEP S 20</li> <li>iSTEP S 30</li> <li>iSTEP S 40</li> <li>iSTEP S 50</li> </ul>		X	X
<b>Diaphragm pumps</b>  <ul style="list-style-type: none"> <li>C409.2-25e Pro+ ... C409.2-50e Pro+</li> <li>RF409.2-2,4e ... RF 409.2-50e</li> </ul>		C409.2-75e Pro+ ... C409.2-350e Pro+ RF409.2-75e ... RF 409.2-350e C410.2-280e ... C410.2-570e RF410.2-280e ... RF410.2-570e	C410.2-900e ... C410.2-1450e RF410.2-900e ... RF410.2-1450e
<b>Multi-layer diaphragm pumps</b>  <ul style="list-style-type: none"> <li>C409.2-11 ML Pro+</li> <li>C409.2-17 ML Pro+</li> <li>C409.2-45 ML Pro+</li> <li>RF409.2-11 ML ... RF409.2-45 ML</li> </ul>		C409.2-110 ML Pro+ C409.2-220 ML Pro+ RF409.2-110 ML ... RF409.2-220 ML C410.2-500 ML RF410.2-135 ML ... RF410.2-500 ML	RF410.2-1200 ML

## DIMENSIONS



### Application example

Basic design with following options:

- Diaphragm pulsation damper
- Suction side with Shut-off valve and line strainer
- Feedback pipe from relief valve back to suction side

	H	B	T
CVD1 s - 60.1	1.000	650	600
CVD1 s - 550.1	1.000	650	600
CVD1 s - 1500.1	1.000	650	600
CVD1 - 60.1	1.500	650	600
CVD1 - 550.1	1.500	650	600
CVD1 - 1500.1	1.500	650	600

# DOSING UNITS, VERTICAL DESIGN

## BASIC DESIGNS

### CVD 1 s

Dosing pump  
 2-way shut-off valve on the pressure side (Shut off/Emptying)  
 Diaphragm relief valve  
 Wall mounting plat made of PP (H=1.000mm, with drip pan)  
 Piping on pressure side made of PVC-U or PP  
 Seals made of EPDM or FPM

Connection suction side: External thread of pump's suction valve  
 Connection pressure side: External thread of final shut-off valve

Type	Price (EUR)
CVD 1 s - 60.1	Ⓞ
CVD 1 s - 550.1	Ⓞ
CVD 1 s - 1500.1	Ⓞ

### CVD 1

Dosing pump  
 2-way shut-off valve on the pressure side (Shut off/Emptying)  
 Diaphragm relief valve  
 Wall mounting plat made of PP (H=1.500mm, with drip pan)  
 Piping on pressure side made of PVC-U or PP  
 Seals made of EPDM or FPM

Connection suction side: External thread of pump's suction valve  
 Connection pressure side: External thread of final shut-off valve

Type	Price (EUR)
CVD 1 - 60.1	Ⓞ
CVD 1 - 550.1	Ⓞ
CVD 1 - 1500.1	Ⓞ

## OPTIONS

	Price [EUR]
Diaphragm pulsation damper	720.1 (up to 25 l/h) ▲
	721.2 (up to 50 l/h) ▲
	722.1 (up to 220 l/h) ▲
	723.1 ▲
	713.1 ▲
Suction side with shut-off valve and line strainer (not for design CVD1s)	▲
Feedback pipe from relief valve back to suction side (only in combination with suction side pipework)	▲
Multifunction device (priming aid/calibration pot)	▲

## OPTIONS

		Price [EUR]
Protective cabinet		▲
Heating for protective cabinet		▲
Lighting for protective cabinet		▲
Splash guard (removable)		▲
Framework for loor mounting	Galvanized steel	▲
	Plastic	▲
Leckage sensor	without WHG-approval	▲
	with WHG-approval	▲
Shut-off valve for emptying of the drip pan		▲
Terminal box	RF-Pump	▲
	C-Pump      up to 0,37 kW	▲
	C-Pump      from 0,75 kW	▲
Terminal box (with power socket)	C-Pump      up to 0,37 kW	▲
	C-Pump      from 0,75 kW	▲
Power socket (each pump)	Shockproof socket (C-pumps)	▲
	CEE power socket (C-pumps with compact drive)	▲
ON-/OFF-Switch (not in association with terminal box or power socket)	409.2/410.2	▲
Protective roof for driving motor		▲

Further accessories on request

# DOSING UNITS, VERTICAL DESIGN



## OVERVIEW

The most modern pump technology  
 Standardized mounting plates  
 Space-saving wall mounting  
 Wide range of applications  
 High safety standard  
 Large range of capacity  
 High dosing accuracy  
 Easy to operate  
 Low maintenance  
 Complete range of accessories

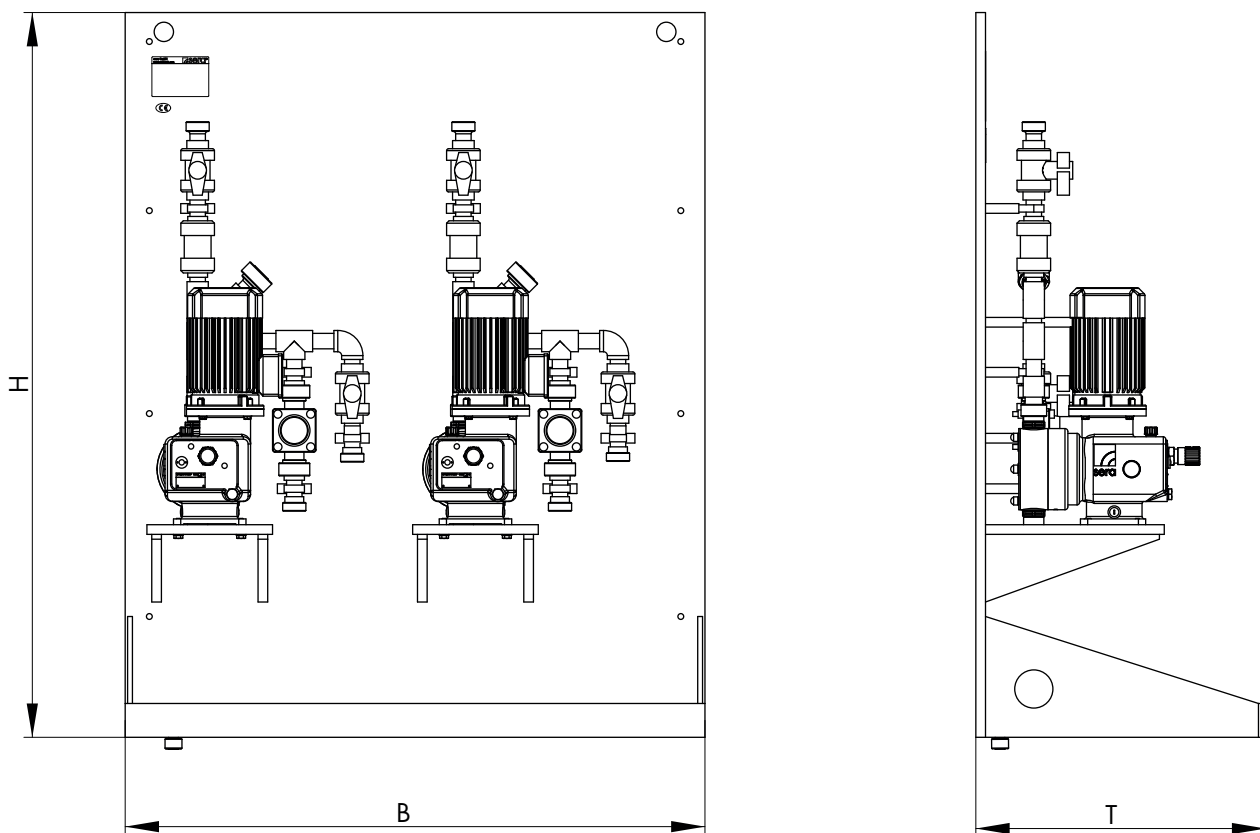
## TECHNICAL DATA

UNIT DATA		CVD2-60.1	CVD2-550.1	CVD2-1500.1
Flow capacity	l/h	2x 0 - 60	2x 0 - 550	2x 0 - 1500
Permissible counter pressure	bar (max)	10	8	5
Permissible suction head	mWC (max)	3	3	3
Number of pumps	Quantity	2	2	2

## ALLOCATION OF DOSING PUMPS

PUMP SERIES	CVD2-60.1	CVD2-550.1	CVD2-1500.1
<b>Solenoid diaphragm pumps</b>  <ul style="list-style-type: none"> <li>C 204.1-2,4e</li> <li>C 204.1-7,0e</li> <li>C 204.1- 10e</li> <li>C 204.1- 35e</li> </ul>		X	X
<b>Stepper motor diaphragm pumps</b>  <ul style="list-style-type: none"> <li>iSTEP S 20</li> <li>iSTEP S 30</li> <li>iSTEP S 40</li> <li>iSTEP S 50</li> </ul>		X	X
<b>Diaphragm pumps</b>  <ul style="list-style-type: none"> <li>C409.2-25e Pro+ ... C409.2-50e Pro+</li> <li>RF409.2-2,4e ... RF 409.2-50e</li> </ul>		C409.2-75e Pro+ ... C409.2-350e Pro+ RF409.2-75e ... RF 409.2-350e C410.2-280e ... C410.2-570e RF410.2-280e ... RF410.2-570e	C410.2-900e ... C410.2-1450e RF410.2-900e ... RF410.2-1450e
<b>Multi-layer diaphragm pumps</b>  <ul style="list-style-type: none"> <li>C409.2-11 ML Pro+</li> <li>C409.2-17 ML Pro+</li> <li>C409.2-45 ML Pro+</li> <li>RF409.2-11 ML ... RF409.2-45 ML</li> </ul>		C409.2-110 ML Pro+ C409.2-220 ML Pro+ RF409.2-110 ML ... RF409.2-220 ML C410.2-500 ML RF410.2-135 ML ... RF410.2-500 ML	RF410.2-1200 ML

## DIMENSIONS



**Application example** (basic design)

	H	B	T
CVD2 - 60.1	1.500	1.200	600
CVD2 - 550.1	1.500	1.200	600
CVD2 - 1500.1	1.500	1.200	600

# DOSING UNITS, VERTICAL DESIGN

## BASIC DESIGNS

### CVD 2

2x Dosing pump  
 2-way shut-off valve on the pressure side (Shut off/Emptying)  
 Diaphragm relief valves  
 Wall mounting plat made of PP (H=1.500mm, with drip pan)  
 Piping on pressure side made of PVC-U or PP  
 Seals made of EPDM or FPM

Connection suction side: External thread of pump's suction valve  
 Connection pressure side: External thread of final shut-off valve

Type	Price (EUR)
CVD 2 - 60.1	🕒
CVD 2 - 550.1	🕒
CVD 2 - 1500.1	🕒

## OPTIONS

	Price [EUR]
Diaphragm pulsation damper	720.1 (up to 25 l/h) ▲
	721.2 (up to 50 l/h) ▲
	722.1 (up to 220 l/h) ▲
	723.1 ▲
	Note: Use 2 dampers in case of 2 separate pressure sides 713.1 ▲
Suction side with shut-off valve and line strainer (1x each pump)	▲
Suction side connecting piping (Pump 1 and pump 2)	▲
Feedback pipe from relief valve back to suction side (only in combination with suction side pipework; 1x each pump)	▲
Pressure side connecting piping (Pump 1 and pump 2)	▲
Multifunction device (priming aid/calibration pot)	▲

## OPTIONS

			Price [EUR]
Protective cabinet			▲
Heating for protective cabinet			▲
Lighting for protective cabinet			▲
Splash guard (removable)			▲
Framework for loor mounting	Galvanized steel		▲
	Plastic		▲
Leakage sensor	without WHG-approval		▲
	with WHG-approval		▲
Shut-off valve for emptying of the drip pan			▲
Terminal box	RF-Pump		▲
	C-Pump	up to 0,37 kW	▲
	C-Pump	from 0,75 kW	▲
Terminal box (with power socket)	C-Pump	up to 0,37 kW	▲
	C-Pump	from 0,75 kW	▲
Power socket (each pump)	Shockproof socket (C-pumps)		▲
	CEE power socket (C-pumps with compact drive)		▲
ON-/OFF-Switch (not in association with terminal box or power socket)	409.2/410.2		▲
Protective roof for driving motor			▲

Further accessories on request